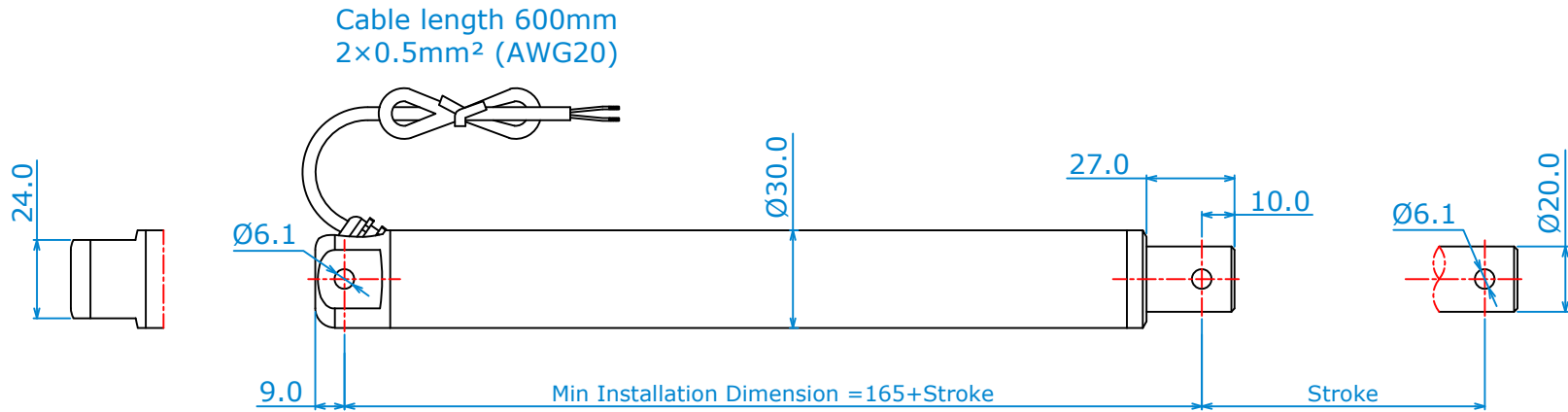


Max load (N)		350	250	200	100
Speed (mm/s)	No load	3.5	5.5	7.5	11.0
	Full load	3.0	4.5	6.0	9.5

Recommended max. current: 12 VDC = 0.7 A / 24 VDC = 0.35 A Duty cycle: 10% (2 min. in use followed by 18 min. in rest)



Customized stroke lengths (max:600mm)
 stroke length ≥ 400mm: + 30 mm
 Customized front / rear rod end + 10 mm
 Customized cables and connectors
 Housing Material: Aluminum Alloy
 Ambient Temperature: -25°C ~ +65°C
 Colour: Silvery
 Noise: ≤ 54dB , IP Class: IP65
 Built-in Limit switches

Drawing Name:

Linear Actuator LP30

15 June 2021

