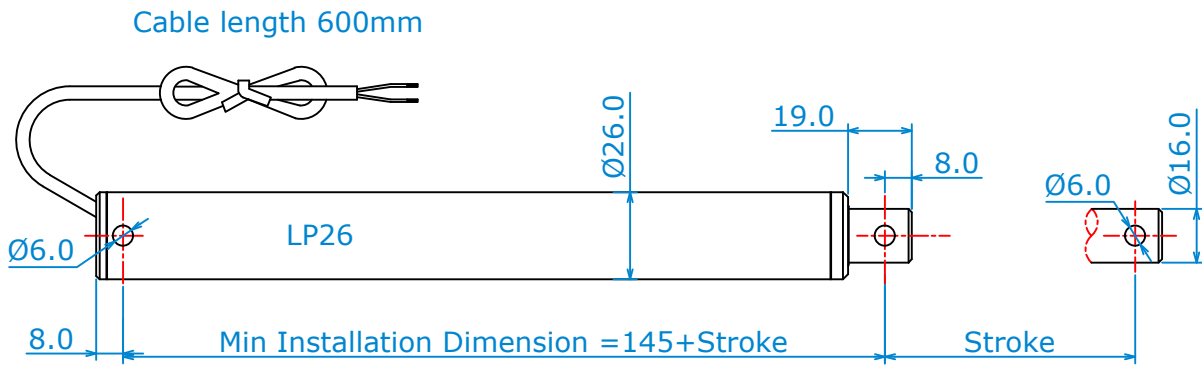


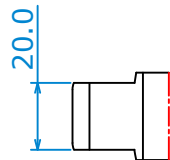
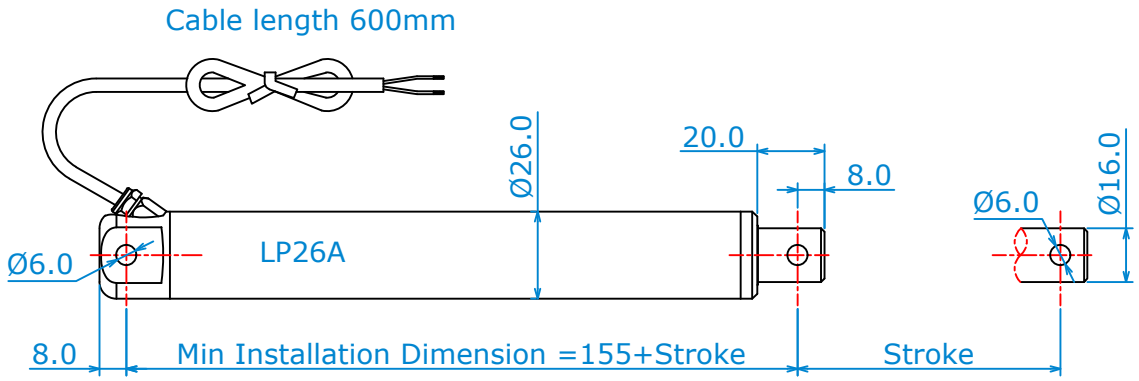
Max load (N)		300	250	200	100
Speed (mm/s)	No load	3	4.5	6	11.5
	Full load	2.3	3.5	4.7	10



Recommended max. current: 12 VDC = 0.7 A  
 24 VDC = 0.35 A  
 Duty cycle: 10% (2 min. in use followed by 18 min. in rest)

Customized stroke lengths (max: 400mm)  
 stroke length ≥ 200mm: + 20 mm  
 Customized front / rear rod end + 10 mm  
 Hall sensor feedback, 2 channels + 10mm

Customized cables and connectors  
 Housing Material: Aluminum Alloy  
 Ambient Temperature: -25°C ~ +65°C  
 Colour: Silvery  
 Noise: ≤ 54dB , IP Class: IP65  
 Built-in Limit switches



Drawing Name:

Linear Actuator LP26

15 Aug 2021

